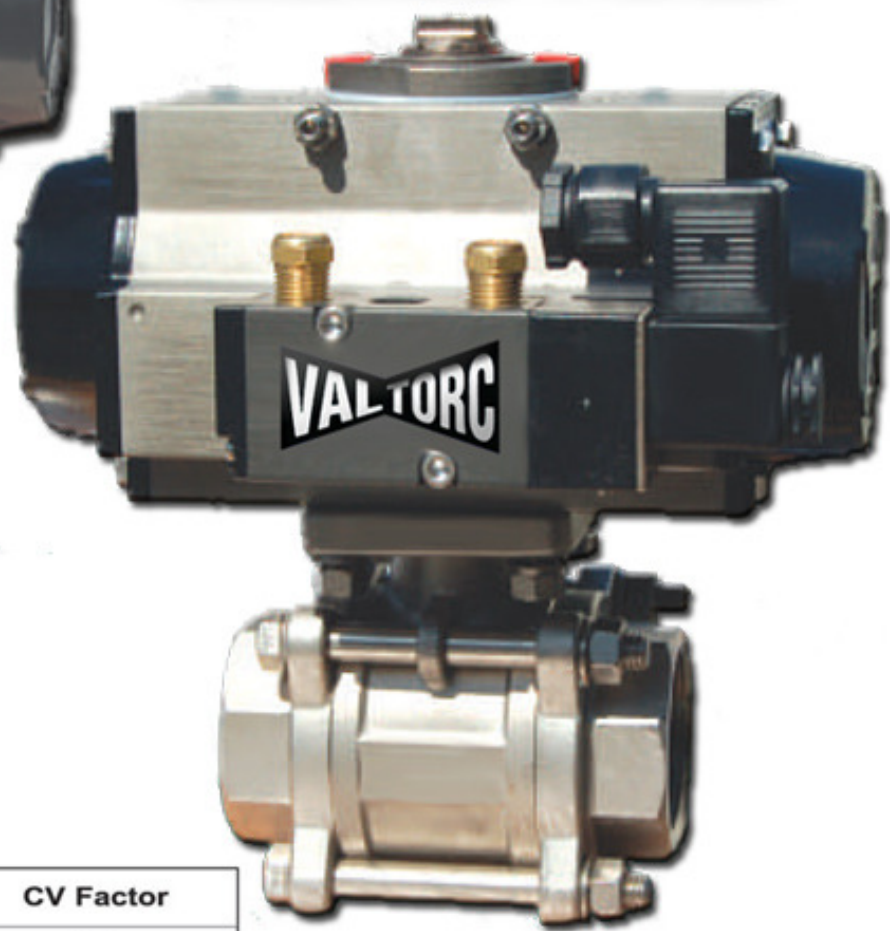
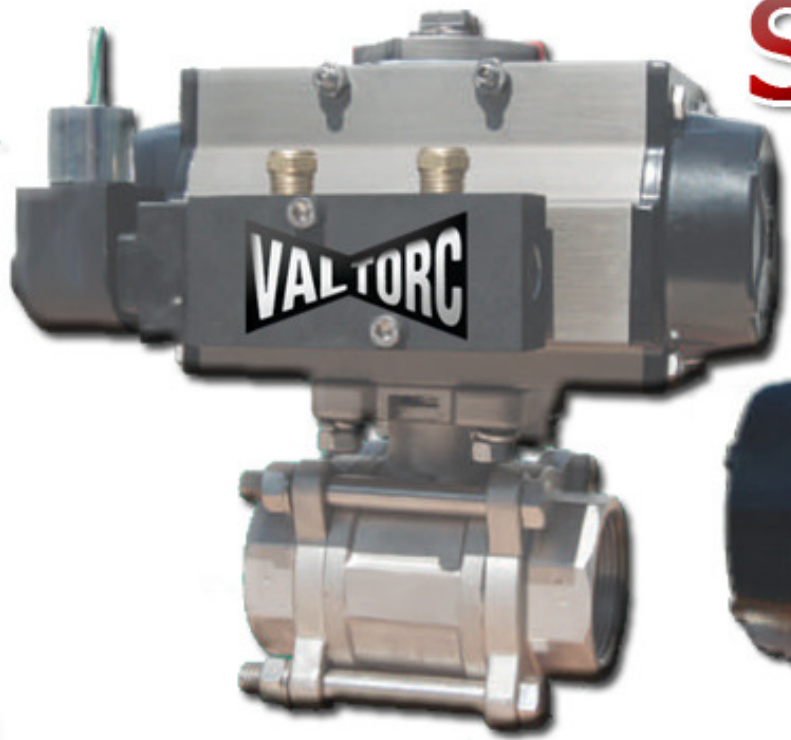


## SERIES 9AAG

### SOLENOID VALVES



### Specification

Model	Orifice Area	CV Factor
9AAG	30 mm <sup>2</sup>	1.68

Rate Voltage	AC 110V <sup>50</sup> / <sub>60</sub> HZ	AC 220V <sup>50</sup> / <sub>60</sub> HZ	DC 24V <sup>50</sup> / <sub>60</sub> HZ
		50HZ (+15%-10%)	60HZ (+15%-10%)
Power Consumption	2.5W		2.5W
Coil Insulation	Class F		
Electrical Connection	DIN 46350 Electrical Connector (1/2" FNPT)		
Duty Cycle	100% (Continuous)		
Temperature (°F)	0 °F ~ 125 °F		

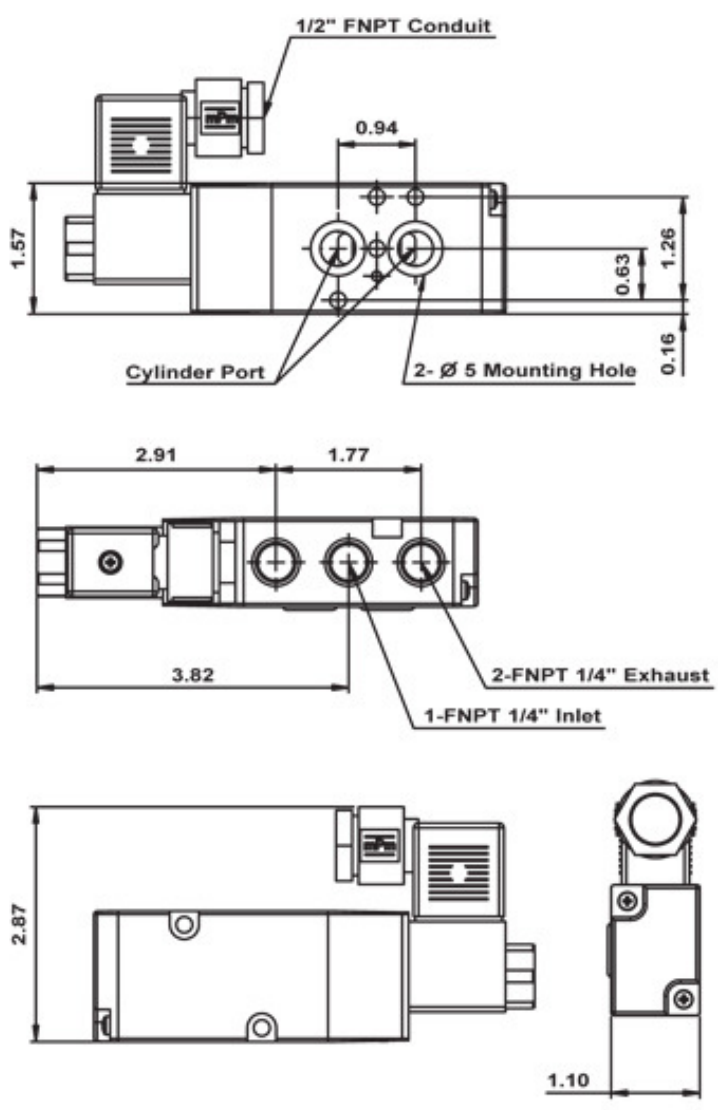
### Standard Features

- Namur Mount
- Nema 4
- 100% Duty Cycle
- Manual Override

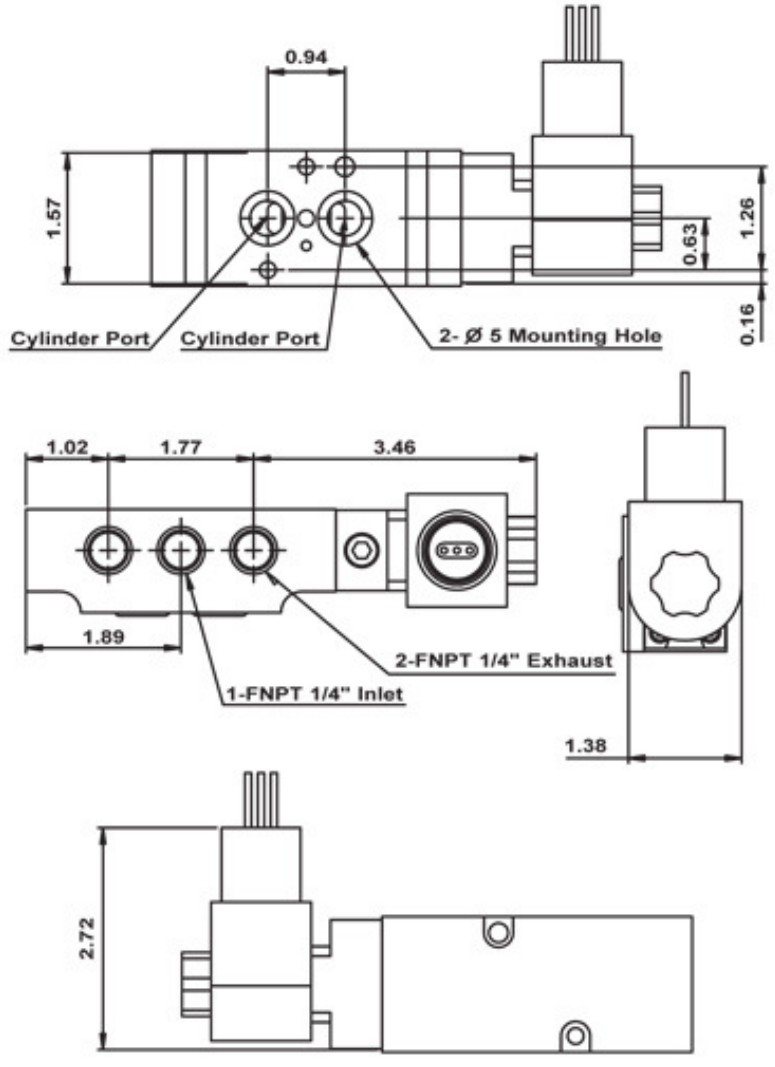
### Options

- 24VAC, 110V, 220V, or 12 & 24 VDC
- Nema 7
  - CL I: Div. 1; GR. A, B, C, D
  - CL II: GR. E, F, G
  - NEMA: 4, 4X, 7C, 7D
- Dual Coil

## Nema 4



## Nema 7



Series	Model	Namur Type	Operator	Voltage
9AAG - Solenoid	N4 - Nema 4 Standard Coil	NMR - Namur Type 5 Way Valve	1 - Single Operator	A24V - AC 24V 50/60 Hz
	N7 - Nema 7 Explosion Proof Coil		2 - Double Operator	110V - AC 110V 50/60 Hz 220V - AC 220V 50/60 Hz 12V - DC 12V 24V - DC 24V