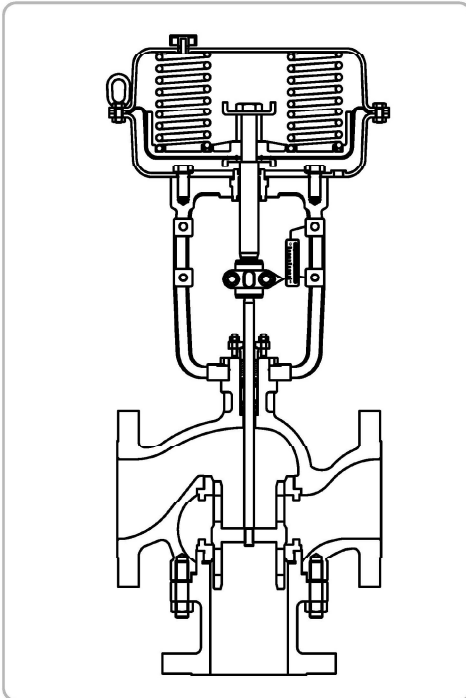


# GLOBE VALVE

## 3 WAY CONTROL TYPE

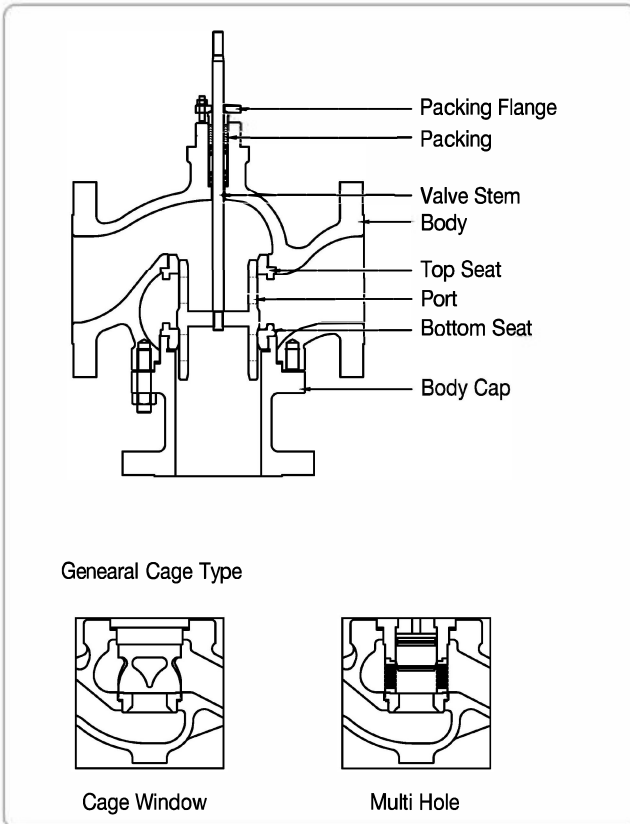


### 1. INTRODUCTION : ANGLE PATTERN TYPE

**3100 Series :** The Angle pattern type is a Mixing service type which has been designed and manufactured to enable two different fluids to flow through one exit. Strong guide of posts and stems can withstand the toughest vibration. The two ports can divide, distribute, and control the flow of two different fluids with precise ratio.

It has been engineered to send constant amount of desired fluids.

**3200 Series :** The Angle pattern type in this series is a Diverting service type which has been designed to allow a single fluid to enter through one entrance and come out through two exits at both ends of the process. Unlike the mixing service, it has been designed to control the flow of precise ratio of fluids at both exits.



### 2. INNER STRUCTURE & STANDARD SPECIFICATIONS

**Pressure Rating**

Ansi Class 150, 300, 600, 900, 1500

**End Connection**

Flange End : FF, RF, RTJ, SW, BW, etc.

**Material**

Body : A216-WCB, A351-CF8/CF8M/CF3/CF3M, etc.

Trim : A276-304/316/304L/316L, etc.

Gasket : A240-316 + Graphite Spiral Wound, etc.

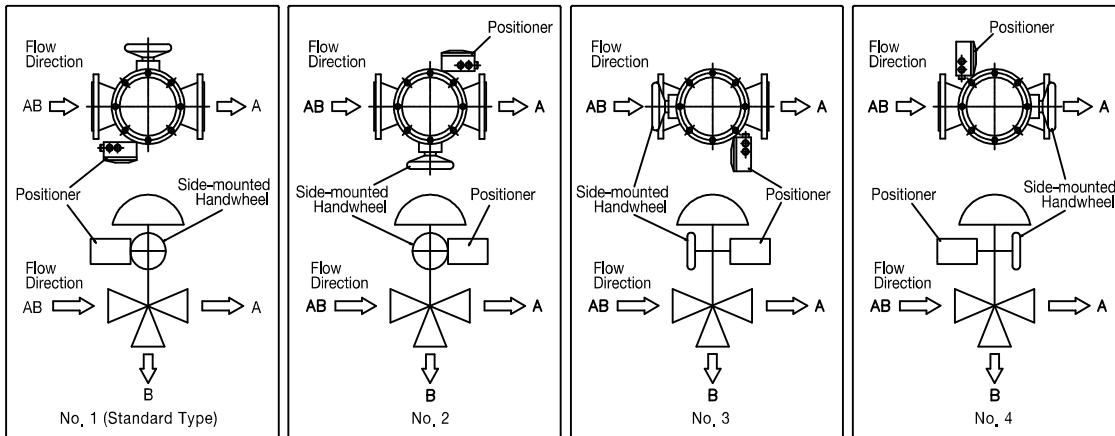
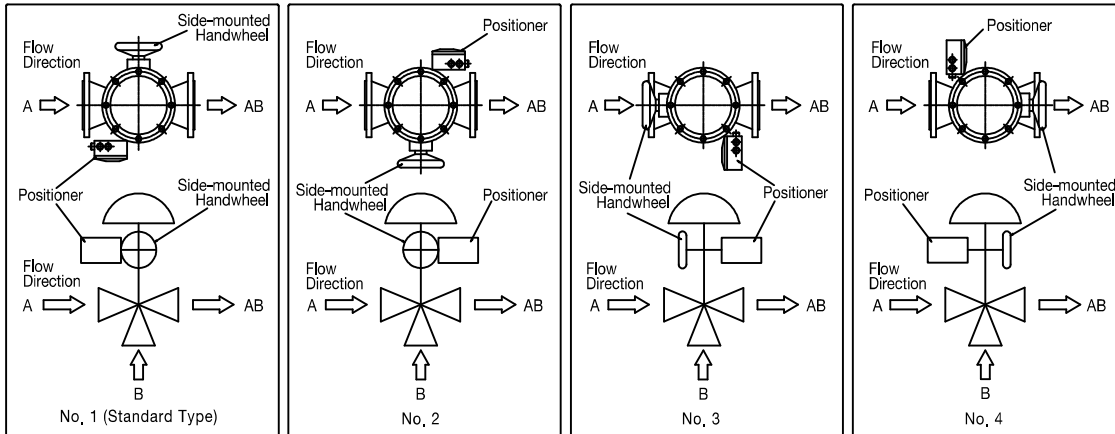
**Flow Direction**

FTC : Flow action to Close

# GLOBE VALVE

## 3 WAY CONTROL TYPE

### 3. FLOW DIRECTION TYPE



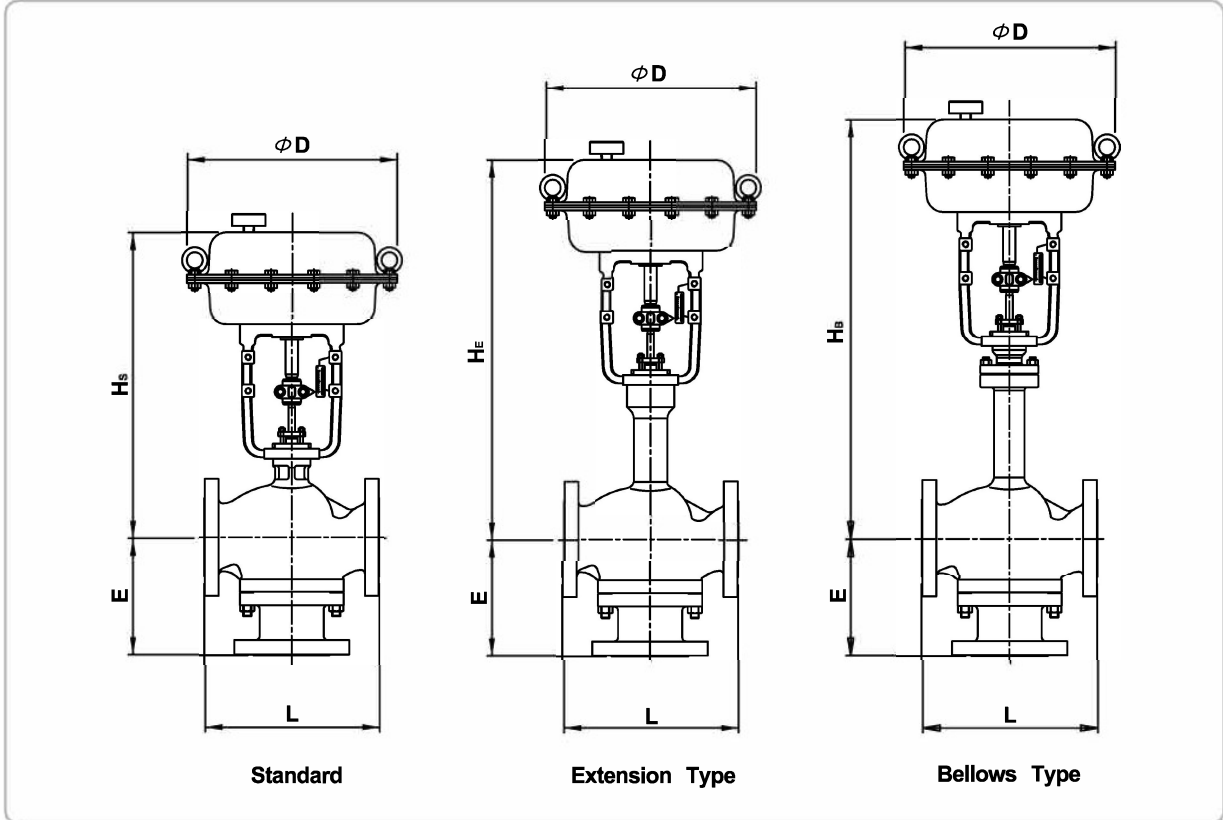
### 4. STANDARD SIZE & Cv VALUE

Valve Type		2 Way Globe For Three Way Type													
Size	Inch	3/4	1	1 1/2	2	2 1/2	3	4	5	6	8	10	12		
	mm	20	25	40	50	65	80	100	125	150	200	250	300		
Rated Travel (mm)		15	15	25	25	38	38	38	50	50	50	75	75		
Cv Value ( Full )	Control Type	6.3	10	28	40	55	70	90	130	160	250	360	600	930	1340
	On-off Type	9.0	13	44	60	72	100	165	270	400	604	1100	1400		

# GLOBE VALVE

## 3 WAY CONTROL TYPE

### 5. STANDARD EXTERNAL DIMENSIONS



Unit : mm

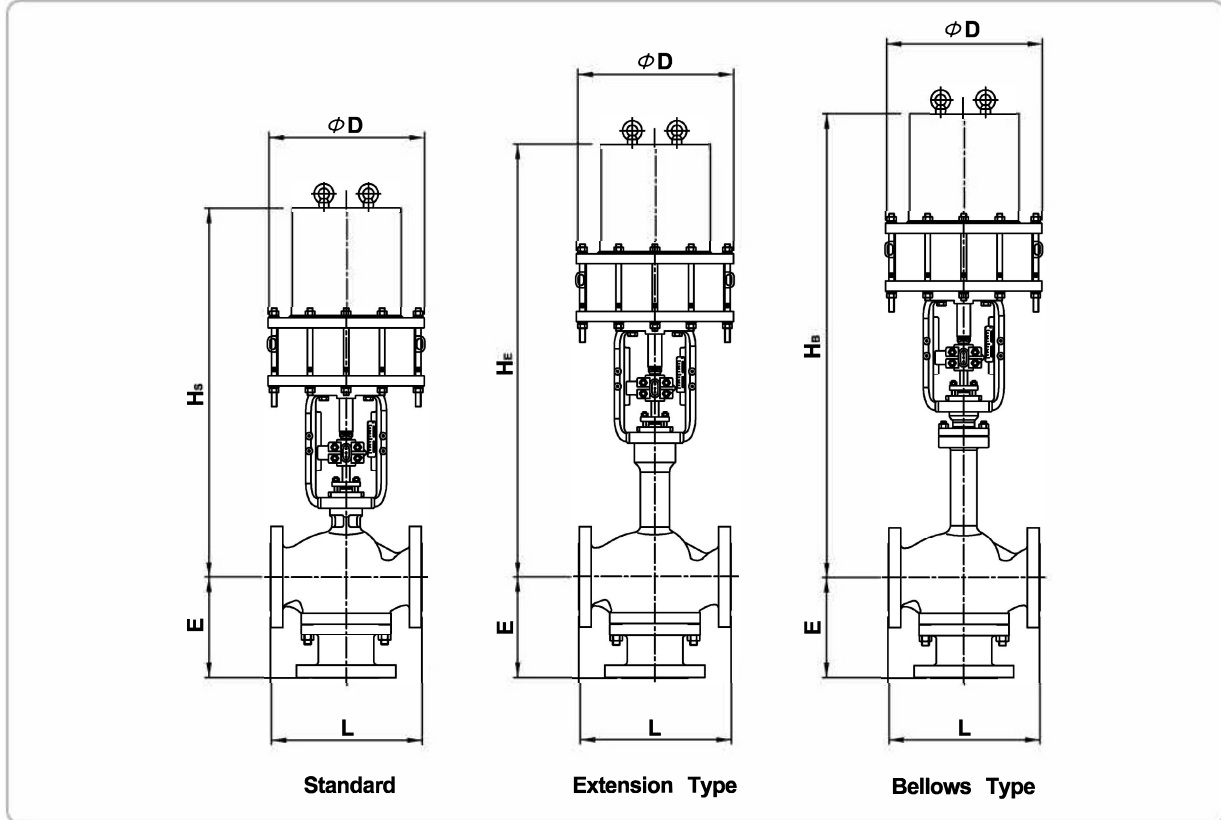
Size (Inch)	Actuator Size	L (ANSI Class)			E (mm)	H <sub>e</sub> (mm) Extension	H <sub>b</sub> (mm) Bellows	H <sub>s</sub> (mm) Standard	φ D (mm)
		150Lb RF	300Lb RF	600Lb RF					
3/4	220	184	194	206	135	435	595	400	220
	270							495	270
1	220	184	194	210	135	510	670	400	220
	270							475	270
1 1/2	220	222	235	251	168	590	590	400	220
	270							495	270
	365							590	365
2	220	254	267	286	180	600	600	400	220
	270							510	270
	365							605	365
2 1/2	270	276	292	311	200	730	730	645	270
	350							670	365
	365							875	450

#### NOTE

Face to face dimensions conform to IEC 534-3 : 1976 Specifications.

# GLOBE VALVE

## 3 WAY CONTROL TYPE



Unit : mm

Size (Inch)	Actuator Size	L(ANSI Class)			E (mm)	H <sub>e</sub> (mm) Extension	H <sub>b</sub> (mm) Bellows	H <sub>s</sub> (mm)	$\phi D$ (mm)
		150Lb RF	300Lb RF	600Lb RF					
3	270	298	317	337	220	755	755	565	270
	350							685	365
	450							890	450
4	270	352	368	394	245	780	780	565	270
	365							703	365
	450							910	450
5	365	403	425	457	280	990	990	715	365
	450							945	450
6	350	451	473	508	320	1095	1095	740	365
	450							970	450
8	450	543	568	610	370	1140	1140	1430/1540	450
	600							1525/1630	620
10	600	673	451	752	450	1280	1280	1760/1890	620
12	600	737	543	819	500	1505	1505	1810/1940	620

### NOTE

Face to face dimensions conform to IEC 534-3 : 1976 Specifications.