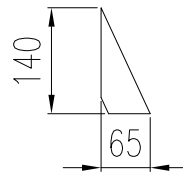
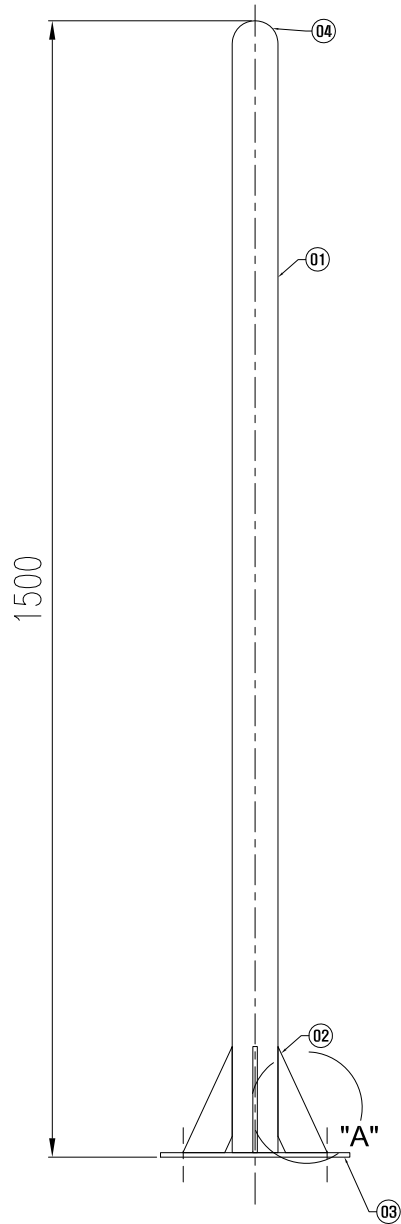
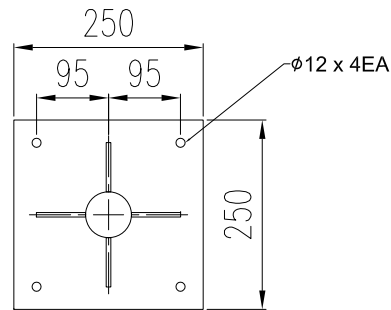


BILL OF MATERIAL LIST

NO.	DESCRIPTION	SPECIFICATION	Q'TY	REMARK
01	STEEL PIPE	50A	1500mm	GALVANIZING ZINCING
02	STEEL SUPPORT	140 x 65 x 6t	4EA	GALVANIZING ZINCING
03	STEEL PLATE	250 x 250 x 6t	1EA	GALVANIZING ZINCING
04	STEEL CAP	50A	1EA	GALVANIZING ZINCING



DETAIL "A"



BASE VIEW

5									
4									
3									
2									
1									
0	FOR APPROVAL			YWJ					
REV.	DATE	DESCRIPTION	DWN	AE	LE	APPD	PE	PM	

**KDI** 극동계장

**2" PIPE STATION**

A  
ISSUE

SCALE NONE	DWG. NO.	13-03-04	REV.
---------------	----------	----------	------