



# ALIA VALVE

## 2-Valve Manifolds / 3-Valve Manifolds / 5-Valve Manifolds

### Model AHV400 Series

#### GENERAL

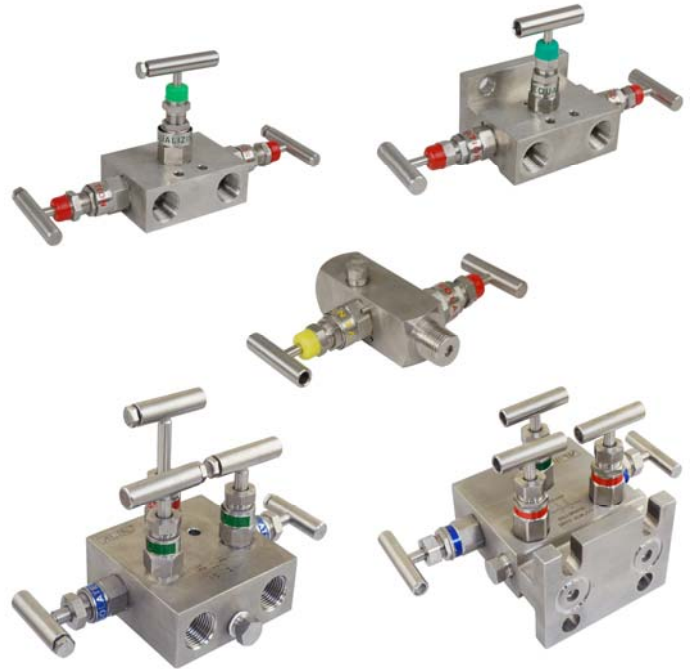
**ALIA VALVE** The AHV400 Series manifolds feature a horizontal body design. Manifolds are constructed out of bar-stock and forged material in 316 Stainless Steel as Standard.

Standard models are available in 2-, 3-, 5-way configurations together with a full range of connection types; custom designs are available on demand.

Each manifold undergoes hydraulic pressure, pneumatic pressure, vacuum, vibration and thermal stability testing to ensure product integrity.

#### FEATURES

- All 316 Stainless steel construction
- Convenient method for blocking, exhausting, and calibrating pressure instruments
- Flange seals and flange bolts are included with manifold
- Designed for connecting system impulse line & transmitter
- Special hardened ball seat is ideal for both gas and liquid service
- All stem packing is located below to stem threads presenting galling, corrosion and contamination
- One piece construction for higher pressure

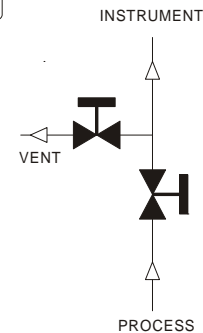
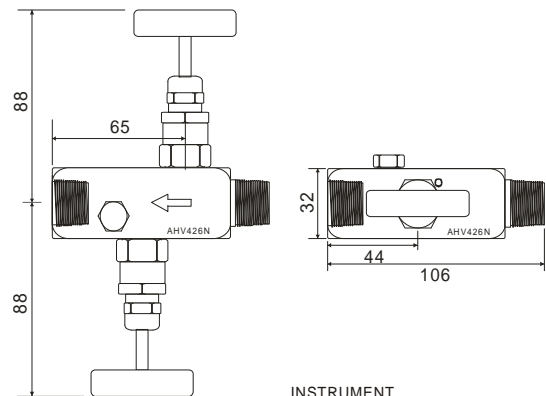


#### Double Block & Bleed Gauge Valves

Design for use with gauges, switch or pressure transmitter.

These gauge valve incorporates two-valve with single outlet that combines isolation, calibration and ventilation.

- Model : AHV426N
- Test Pressure : @25 °C Room Temperature
  - Hydrostatic : Body-620 bar
  - : Seat-415 bar
  - Pneumatic : Seat-40 bar
  - Gland Packing : PTFE
- Material
  - Body : Stainless Steel 316
  - Wetted Parts : Stainless Steel 316
  - Plate : Stainless Steel 316
- Max. Temperature : 180 °C
- Connections
  - Process : 1/2" NPT (Male)
  - Instrument : 1/2" NPT (Female)



#### ALIA TECHNOLOGY LLC

633 W. 5th Street, 26th Floor, Los Angeles, CA 90071, USA  
TEL : + 1 - 213 - 533 - 4139    FAX : + 1 - 213 - 223 - 2317

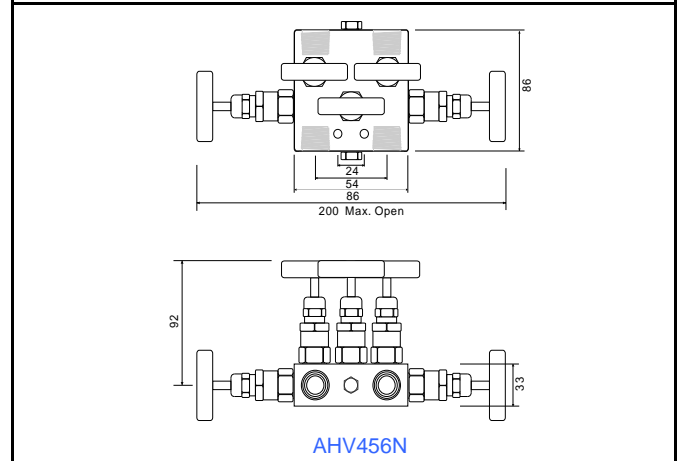
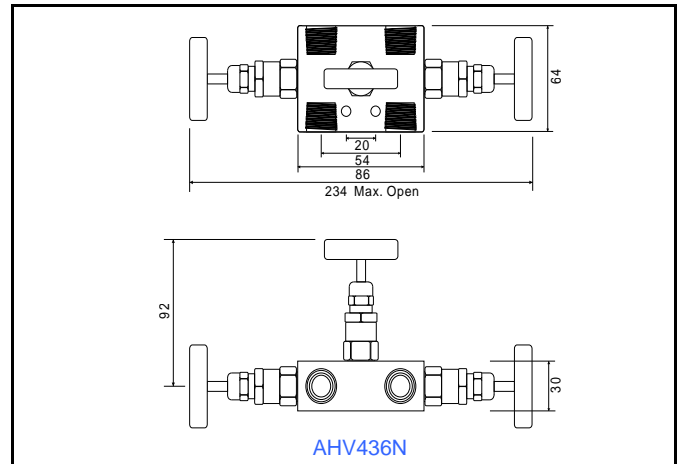


URL : [www.alia-inc.com](http://www.alia-inc.com)  
E-mail : [alia@alia-inc.com](mailto:alia@alia-inc.com)  
AHV400V1.2.2.A4.en

### ➤ Separately Mounted 3-, 5-Valve Manifold

Designed for applications to facilitate remote mounting of differential pressure instruments. Dimensions shown right are for the standard 54 mm or 2-1/8" instrument connection. Centre distance found in majority of instruments. Useful for installations in remote fields eliminating conventional method of piping.

- Model : AHV436N / AHV456N
- Test Pressure : @25 °C Room Temperature
  - Hydrostatic : Body-620 bar
  - : Seat-415 bar
  - Pneumatic : Seat-40 bar
  - Gland Packing : PTFE
- Material
  - Body : Stainless Steel 316
  - Wetted Parts : Stainless Steel 316
  - Plate : Stainless Steel 316
- Max. Temperature : 180 °C
- Connections
  - Process : 1/2" NPT (Female)
  - Instrument : 1/2" NPT (Female)



### ➤ T-Type Direct Mounting 3-, 5-Valve Manifold

Designed for applications to facilitate remote mounting of differential pressure instruments. Dimensions shown above are for the standard 54 mm or 2-1/8" instrument connection. Centre distance found in majority of instruments. Useful for installations in remote fields eliminating conventional method of piping.

- Model : AHV436T / AHV456T
- Test Pressure : @25 °C Room Temperature
  - Hydrostatic : Body-620 bar
  - : Seat-415 bar
  - Pneumatic : Seat-40 bar
  - Gland Packing : PTFE
- Material
  - Body : Stainless Steel 316
  - Wetted Parts : Stainless Steel 316
  - Plate : Stainless Steel 316
- Max. Temperature : 180 °C
- Connections
  - Process : 1/2" NPT (Female)
  - Instrument : Direct on instrument

