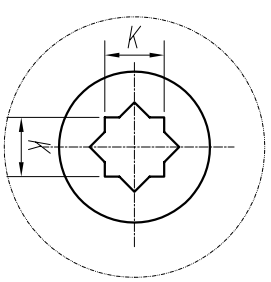
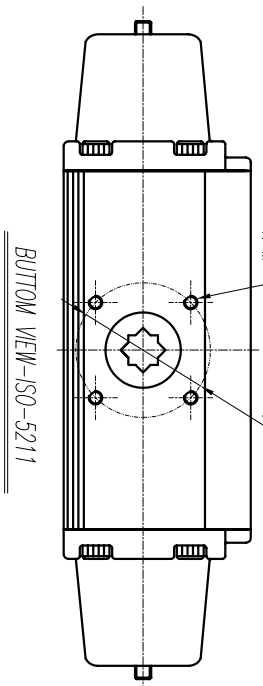
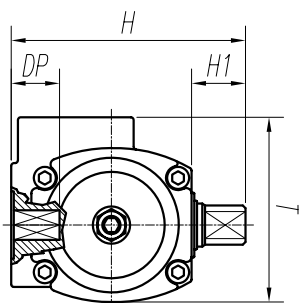
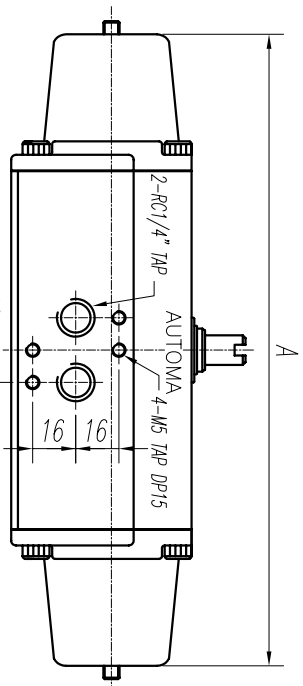
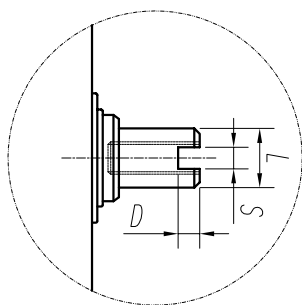
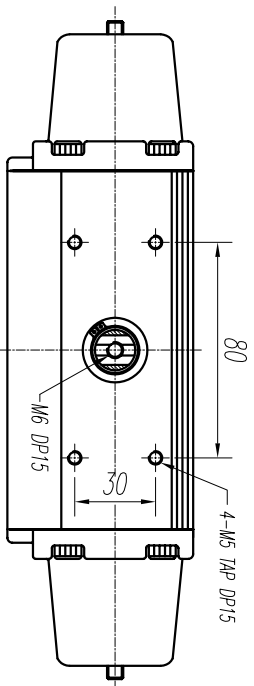


1-3

FOR APPROVAL

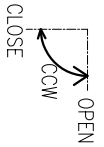


TITLE
SINGLE ACTING
ACTUATOR

| NO | DESCRIPTION | MATERIAL |
|----|-------------------|----------|
| 1 | BODY | AL6063 |
| 2 | PISTON | ADC12 |
| 3 | COVER | ADC12 |
| 4 | SHAFT | SM45C |
| 5 | BOTTOM O-RING | NBR |
| 6 | BOTTOM RING | PTFE |
| 7 | PISTON O-RING | NBR |
| 8 | PISTON GUIDE RING | PTFE |
| 9 | PISTON GUIDE PAD | PBT |
| 10 | SHAFT GUIDE RING | PTFE |
| 11 | TOP O-RING | NBR |
| 12 | TOP GUIDE RING | PTFE |
| 13 | THRUST WASHER | PTFE |
| 14 | SNAP RING | SM45C |
| 15 | COVER O-RING | NBR |
| 16 | COVER BOLT | 304SS |
| 17 | ADJUST O-RING | NBR |
| 18 | ADJUST WASHER | 304SS |
| 19 | ADJUST O-RING | 304SS |
| 20 | ADJUST NUT | 304SS |
| 21 | SPRING | SUP6 |

■ ROTATING ANGLE

| | |
|-------------------------------------|-----------------|
| <input checked="" type="checkbox"/> | 100% OPEN&CLOSE |
| <input type="checkbox"/> | 50% CLOSE |
| <input type="checkbox"/> | 50% OPEN |



■ DIMENSION(mm)

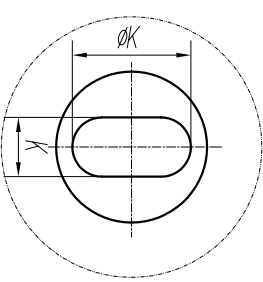
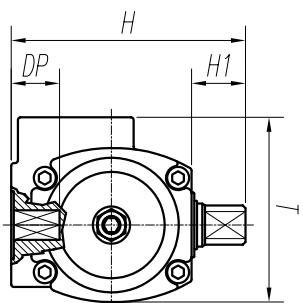
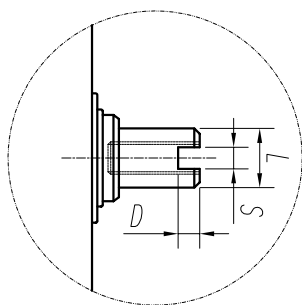
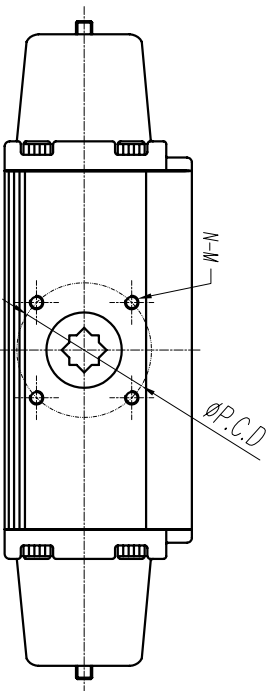
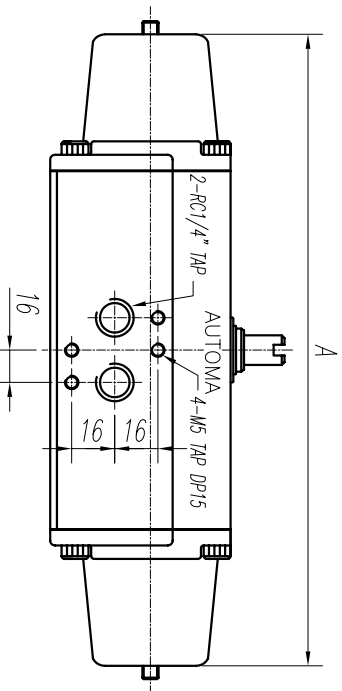
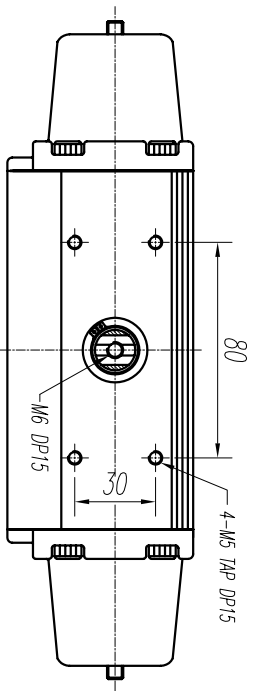
| VALVE | BUTTERFLY | MODEL | A | T | L | S | D | N-M | P.C.D(φ) | H1 | H | K | DP |
|---------|-----------|-------|-----|-----|----|---|---|---------|----------|----|-----|-------|----|
| — | — | AS40 | 108 | 60 | 10 | 4 | 4 | M5 | 36 | 20 | 74 | 9X9 | 12 |
| 15A-20A | 40A-50A | AS50 | 255 | 69 | 13 | 4 | 4 | M6 | 50 | 20 | 87 | 11X11 | 13 |
| 25A-40A | 65A-80A | AS65 | 312 | 82 | 13 | 4 | 4 | M6/M8 | 50/70 | 20 | 106 | 14X14 | 17 |
| 50A-65A | 100A-128A | AS80 | 400 | 98 | 13 | 4 | 4 | M8 | 70 | 20 | 123 | 17X17 | 22 |
| 80A | 150A-200A | AS100 | 450 | 114 | 22 | 4 | 4 | M8/M10 | 70/102 | 20 | 143 | 22X22 | 28 |
| 100A | 250A | AS125 | 600 | 130 | 22 | 4 | 4 | M8/M10 | 70/102 | 20 | 170 | 24X24 | 30 |
| 125A | 300A | AS140 | 647 | 158 | 22 | 4 | 4 | M10/M12 | 102/125 | 20 | 180 | 27X27 | 35 |

■ Actuator Specification

| Specification | Type | SINGLE ACTING |
|-----------------------------|-----------------------------------------------|---------------|
| Operating Medium | Compressed dry air | |
| Standard operating pressure | 5kg/cm ² | |
| Operating pressure range | 4.5 ~ 7kg/cm (OPTION : 3kgf/cm ²) | |
| Operating angle | 90° (0°~+5°) | |
| Operating time | Maximum 30 Second | |
| Service Temperature | -20°C ~ +65°C(option : 250°) | |
| Operating type | Scotch - Yoke (AS40/R&P) | |
| Designed by | Checked by | Approved by |
| 장원철 | | |
| Title | AS | 2005.02.02 |
| Model | AS40 ~ AS140 | N:5 |
| AS-PNEUMATIC-ACTUATOR | Drawing no. | mm |
| AS050202-01-03 | | |

1-4

FOR APPROVAL

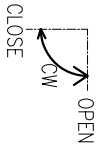


TITLE
SINGLE ACTING
ACTUATOR

| NO | DESCRIPTION | MATERIAL |
|----|-------------------|----------|
| 1 | BODY | AL6063 |
| 2 | PISTON | ADC12 |
| 3 | COVER | ADC12 |
| 4 | SHAFT | SM45C |
| 5 | BOTTOM O-RING | NBR |
| 6 | BOTTOM RING | PTFE |
| 7 | PISTON O-RING | NBR |
| 8 | PISTON GUIDE RING | PTFE |
| 9 | PISTON GUIDE PAD | PBT |
| 10 | SHAFT GUIDE RING | PTFE |
| 11 | TOP O-RING | NBR |
| 12 | TOP GUIDE RING | PTFE |
| 13 | THRUST WASHER | PTFE |
| 14 | SNAP RING | SM45C |
| 15 | COVER O-RING | NBR |
| 16 | COVER BOLT | 304SS |
| 17 | ADJUST O-RING | NBR |
| 18 | ADJUST WASHER | 304SS |
| 19 | ADJUST O-RING | 304SS |
| 20 | ADJUST NUT | 304SS |
| 21 | SPRING | SUP6 |

■ ROTATING ANGLE

| | |
|-------------------------------------|-----------------|
| <input checked="" type="checkbox"/> | 100% OPEN&CLOSE |
| <input type="checkbox"/> | 50% CLOSE |
| <input type="checkbox"/> | 50% OPEN |



Actuator Specification

| Specification | Type | SINGLE ACTING |
|-----------------------------|------------|-----------------------------------------------|
| Operating Medium | | Compressed dry air |
| Standard operating pressure | | 5kg/cm ² |
| Operating pressure range | | 4.5 ~ 7kg/cm (OPTION : 3kgf/cm ²) |
| Operating angle | | 90° (0~+5°) |
| Operating time | | Maximum 30 Second |
| Service Temperature | | -20°C ~ +65°C (Option : 250°) |
| Operating type | | Scotch - Yoke (AS40/R&P) |
| Designed by | Checked by | Approved by |
| 장원철 | | |
| File name | Date | Scale |
| AS | 2005.02.02 | N:1S |
| Unit | | mm |

■ DIMENSION(mm)

| VALVE | MODEL | A | T | L | S | D | N-M | P.C.D(φ) | H1 | H | ØK - k | DP |
|---------|-----------|-------|-----|-----|----|---|---------|----------|----|-----|----------------|----|
| BAUVE | BUTTERFLY | | | | | | | | | | | |
| 15A-20A | 40A-50A | ASS0 | 255 | 69 | 13 | 4 | M6 | 50 | 20 | 87 | Ø14-9.7 | 13 |
| 25A-40A | 65A-80A | AS65 | 312 | 82 | 13 | 4 | M6/M8 | 50/70 | 20 | 106 | Ø16.5-9.7/11.7 | 17 |
| 50A-65A | 100A-128A | AS80 | 400 | 98 | 13 | 4 | M8 | 70 | 20 | 123 | Ø19.5-14.7 | 22 |
| 80A | 150A-200A | AS100 | 450 | 114 | 22 | 4 | M8/M10 | 70/102 | 20 | 143 | Ø22-17.7/19.7 | 28 |
| 100A | 250A | AS125 | 600 | 130 | 22 | 4 | M8/M10 | 70/102 | 20 | 170 | Ø22 x 22 | 28 |
| 125A | 300A | AS140 | 647 | 158 | 22 | 4 | M10/M12 | 102/125 | 20 | 180 | Ø27 x 27 | 35 |



AS50 ~ AS140(BUTTERFLY VALVE)

AS-PNEUMATIC-ACTUATOR A050202-01-04