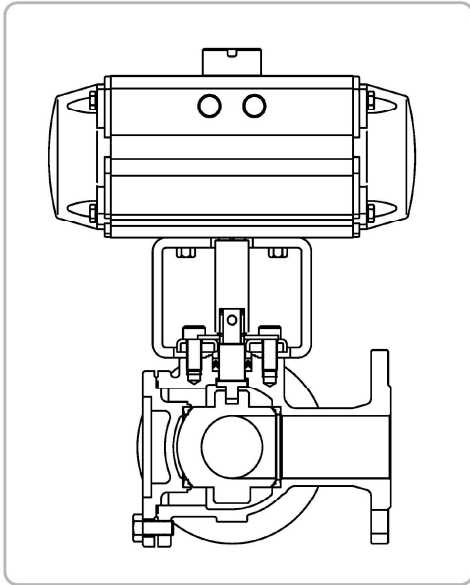


# BALL VALVE

## MULTI WAY TYPE



### 1. INTRODUCTION : MULTI WAY TYPE ( 3 WAY )

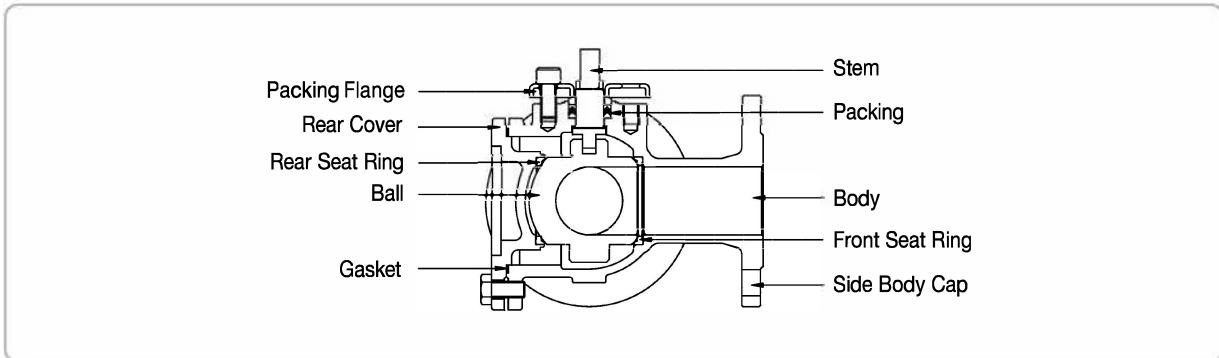
2500/2600 Series : The Multi way ball valves are available in two types. The diverting type (L) splits flow by switching between two directions of inlets while the converging type (T) mixes two fluids by switching two directions of outlets. Both movements are made with a mere quarter turn of the stem. The Valve usually uses the construction of two valve seats and can also use the construction of four valve seats according to the user's demands.

In this installation, any entrance can be used as an inlet and will not result in any leaks.

The seal construction has two types; the soft seal and metal seal which can be applied to different industrial and mineral conditions accordingly.

BALL VALVE

### 2. INNER STRUCTURE & PART-NAMES



### 3. STANDARD SIZE & Cv VALUE

Unit : mm

Valve Type		2 Way Globe For Multi Way Type									Remark
Size	inch	1/2	1/4	1	1/4	1 1/4	2	2 1/2	3	4	
	mm	15	20	25	32	40	50	65	80	100	
Cv Value		26	50	94	185	260	480	750	1300	2300	
Valve Type		2 Way Globe For Multi Way Type									Remark
Size	inch	5	6	8	10	12	14	16	18	20	
	mm	125	150	200	250	300	350	400	400	400	
Cv Value		4200	5400	10000	16000	24000	31400	43000	57000	73000	

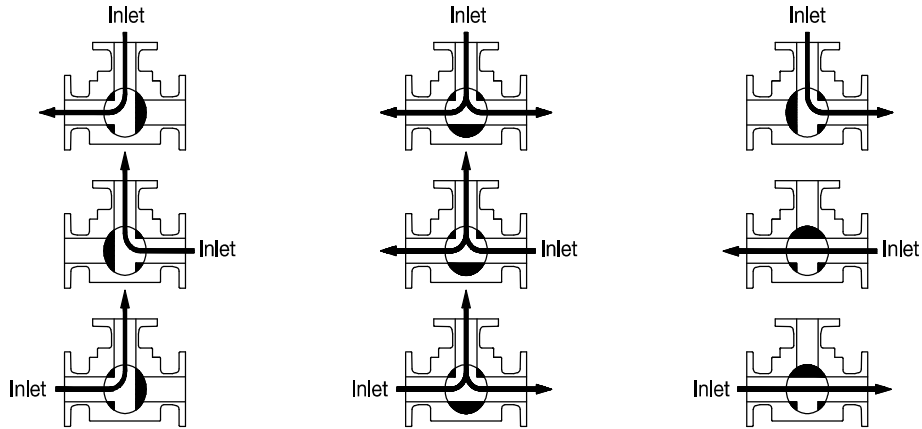
# BALL VALVE

## MULTI WAY TYPE

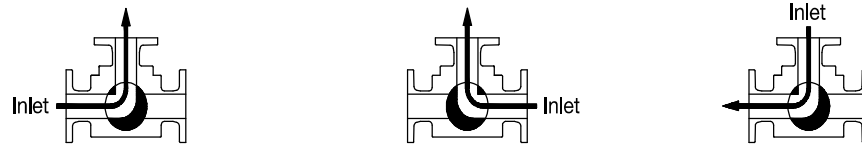
### 4. PORT TYPE & STRUCTURE

BALL VALVE

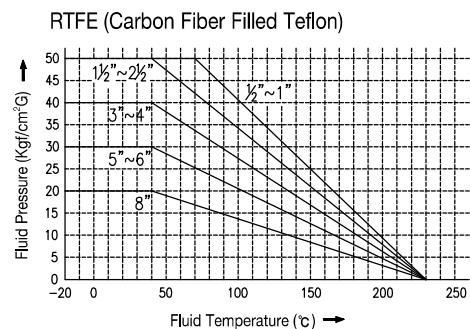
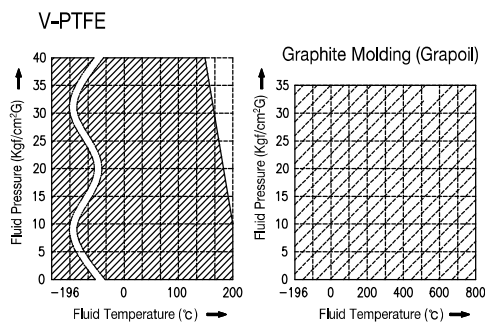
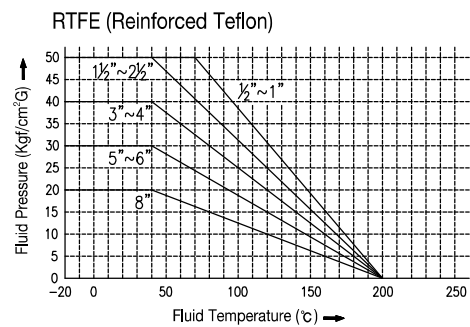
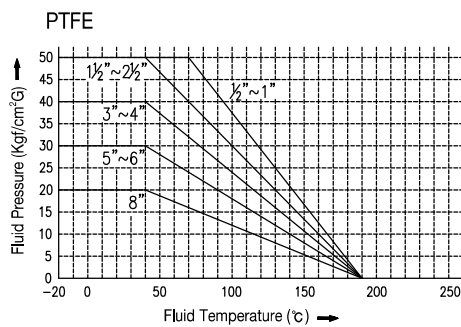
4-1. T-Type Port



4-2. L-Type Port



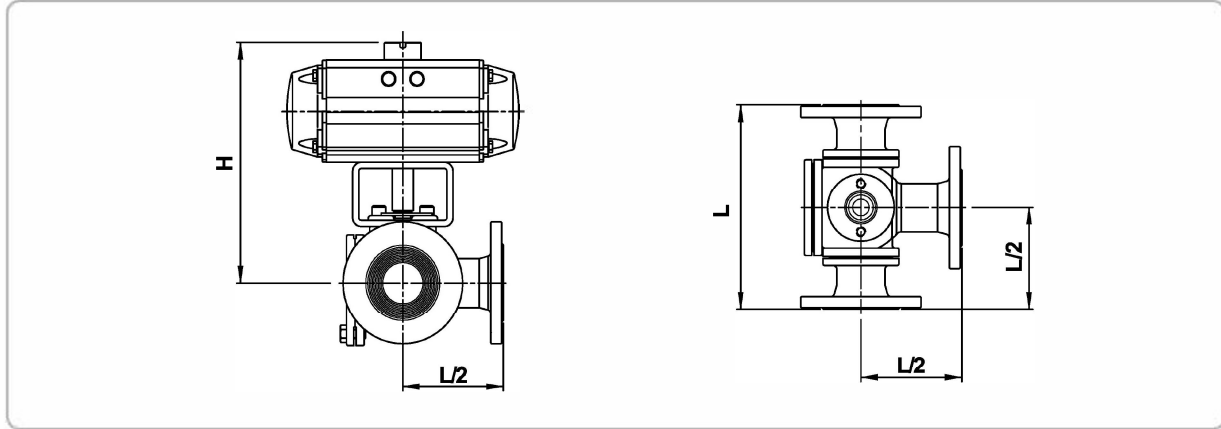
### 5. SEAT RING & GRAND PACKING'S OPERATING PRESSURE-TEMPERATURE RATING



# BALL VALVE

## MULTI WAY TYPE

### 6. STANDARD EXTERNAL DIMENSIONS



BALL VALVE

Unit : mm

Size (inch)	L ( ANSI CLASS )					H			Remark
	150Lb RF	300Lb RF	600Lb RF	900Lb RF	1500Lb RF	ANSI 600 Less than	ANSI 900Lb	ANSI 1500Lb	
1/2	184	190	-	-	-	205	-	-	
3/4	184	184	206	-	-	210	235	-	
1	184	197	210	273	-	263	288	288	
1 1/2	222	235	251	311	311	272	297	297	
2	254	267	286	340	340	340	365	365	
2 1/2	276	292	311	365	375	370	395	395	
3	298	318	337	387	406	395	420	420	
4	352	368	394	464	483	595	620	620	
5	403	425	457	587	632	645	670	670	
6	451	473	508	600	692	645	670	670	
8	543	568	610	781	838	785	810	810	
10	673	708	-	-	991	850	-	-	

Note : Face to face dimensions conform to IEC534-3 : 1976 Specifications.