



ALIAPANEL

Flow Computer

Model AFC365 Series

GENERAL

ALIAPANEL The AFC365 Series Flow Computer is a microprocessor-based instrument designed to measure compensated flow in industrial environment. The AFC365 incorporates the Ideal Gas / Steam / Natural Gas compensation. The Backlit LCD display simplifies programming and clearly indicates all parameters as well as engineering units.

FEATURES

- DIN Size (96 * 96 mm), 320 * 240 Pixels, 4-line LCD display
- Built-in 8 MB memory, applicable to long-term data record
- Common input signal: mA, RTD, Frequency etc.
- High Accuracy +/-0.1% of Reading
- 4-20 mA / Relay / RS485 output
- Ideal Gas / General Gas / Steam / Energy formula
- 24 VDC Aux. power supply available for 2 wires system
- Fascia Sealing for IP65 (NEMA 4X) water tight
- Hourly / Daily / Monthly / Yearly history data record



STANDARD SPECIFICATION

- Number of Inputs : 3 Channels
- Flow Function
 - Input : 4-20 mA / Frequency (0-10 kHz)
 - Display : 5 Digits flowrate with decimal point
 - : 13 Digits totalizer with decimal point
 - Accuracy : +/-0.1% of reading
- Temperature Function : One or Two point (Energy calculator)
 - Input: PT100 / 4-20 mA
 - Display : 4 digits temperature value with decimal point
 - Accuracy : +/-0.1 °C
- Pressure Function
 - Input : 4-20 mA
 - Display : 5 Digits pressure value with decimal point
 - Accuracy : +/-0.1% of reading
- Calculation Function : Ideal Gas, Temperature & Pressure Comp.
 - : General Gases, Temp & Pressure Comp.
 - : Natural Gas, NX-19² Formula
 - : Saturated Steam, Superheated Steam
 - : Liquid Mass, Density calculation
- Alarm Types : High & Low alarm, Incr. & Decr. alarm
- Aux. Power Output : 12 VDC / 24 VDC, 100 mA for Flow Transmitter
 - : 24 VDC, 100 mA for Temperature Transmitter
 - : 24 VDC, 100 mA for Pressure Transmitter
- Output : 4-20 mA, Load 750 Ω * 1 point
 - : Relay, 3 A / 250 V * 1 point
- Display : 3.5" Mono-screen LCD with Backlit
- Response Time : 100 ms
- Keypad : 6 keys for programming and display control
- Engineer Unit : 21 different engineering units
- Parameter Protection : 2 Password entries (6 Digits) for Supplier and User
- Logging Rate : 1-60 minutes Per Data
- Recording Capability : 30 days (1 Data / minutes)
 - : 1800 days (1 Data / Hour)
- Storage Memory : 8 MB (on board)
- Recycling Mode : Newest data overwrites oldest data
- Protection Class : NEMA4 / IP65 (Fascia sealing)
- Weight : 0.5 kg Maximum
- Dimensions : 96 mm (W) * 96 mm (H) * 150 mm (D)
- Ambient Temperature : -10~60 °C
- Ambient Humidity : 10-85% RH (5-40 °C)
- Power Supply : 85-260 VAC, 50/60 Hz
- Vibration Test : 10-60 Hz, 10 m/s² for 3 hours
- Power Consumption : ≤10 W
- Communication : RS485 (MODBUS Protocol)
- Parameter Storage : Operation parameters are stored by EEPROM for more than 10 years

ALIA TECHNOLOGY LLC

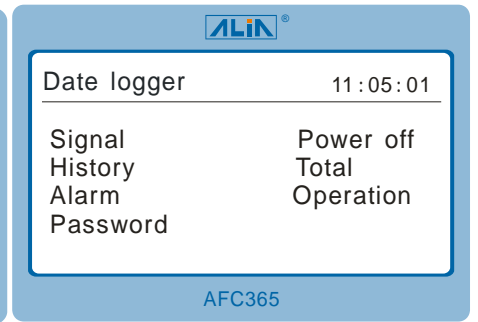
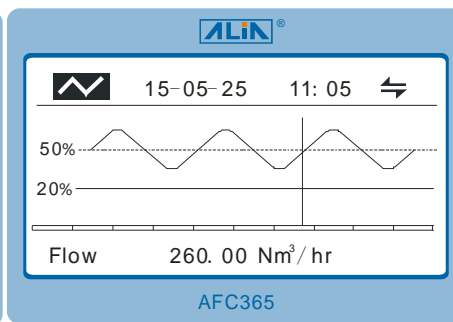
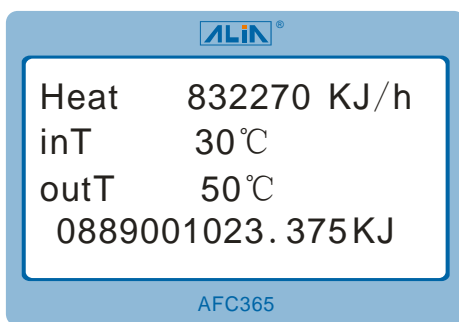
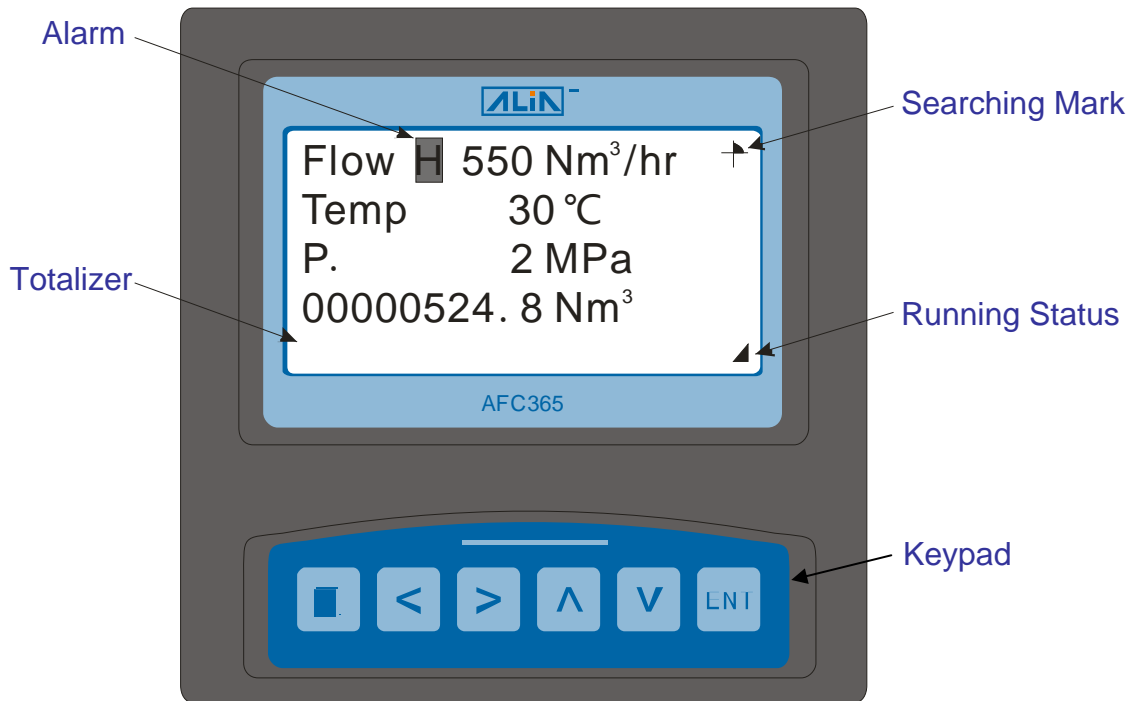
633 W. 5th Street, 26th Floor, Los Angeles, CA 90071, USA
TEL : + 1 - 213 - 533 - 4139 FAX : + 1 - 213 - 223 - 2317



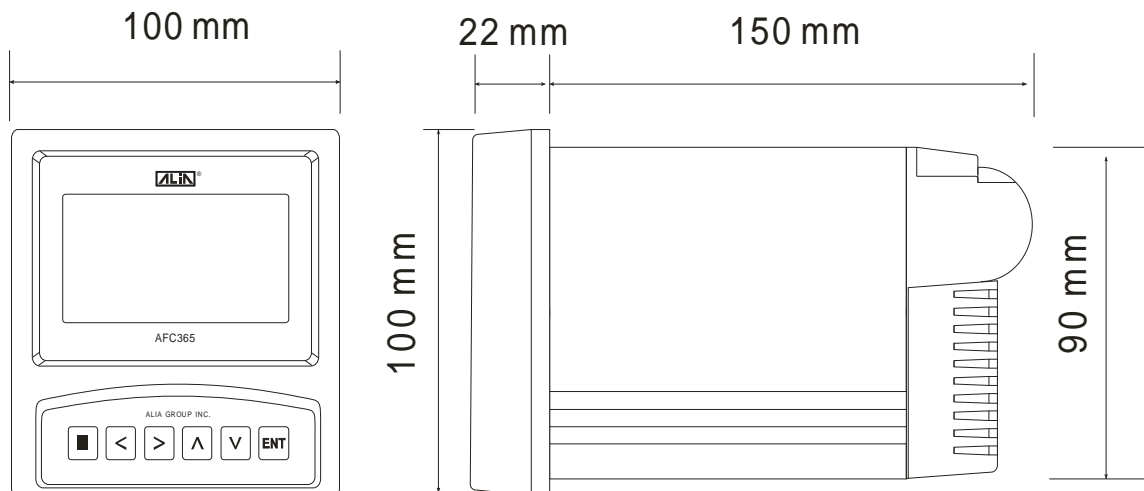
URL : www.alia-inc.com
E-mail : alia@alia-inc.com
AFC365V1.2.2.A4.en



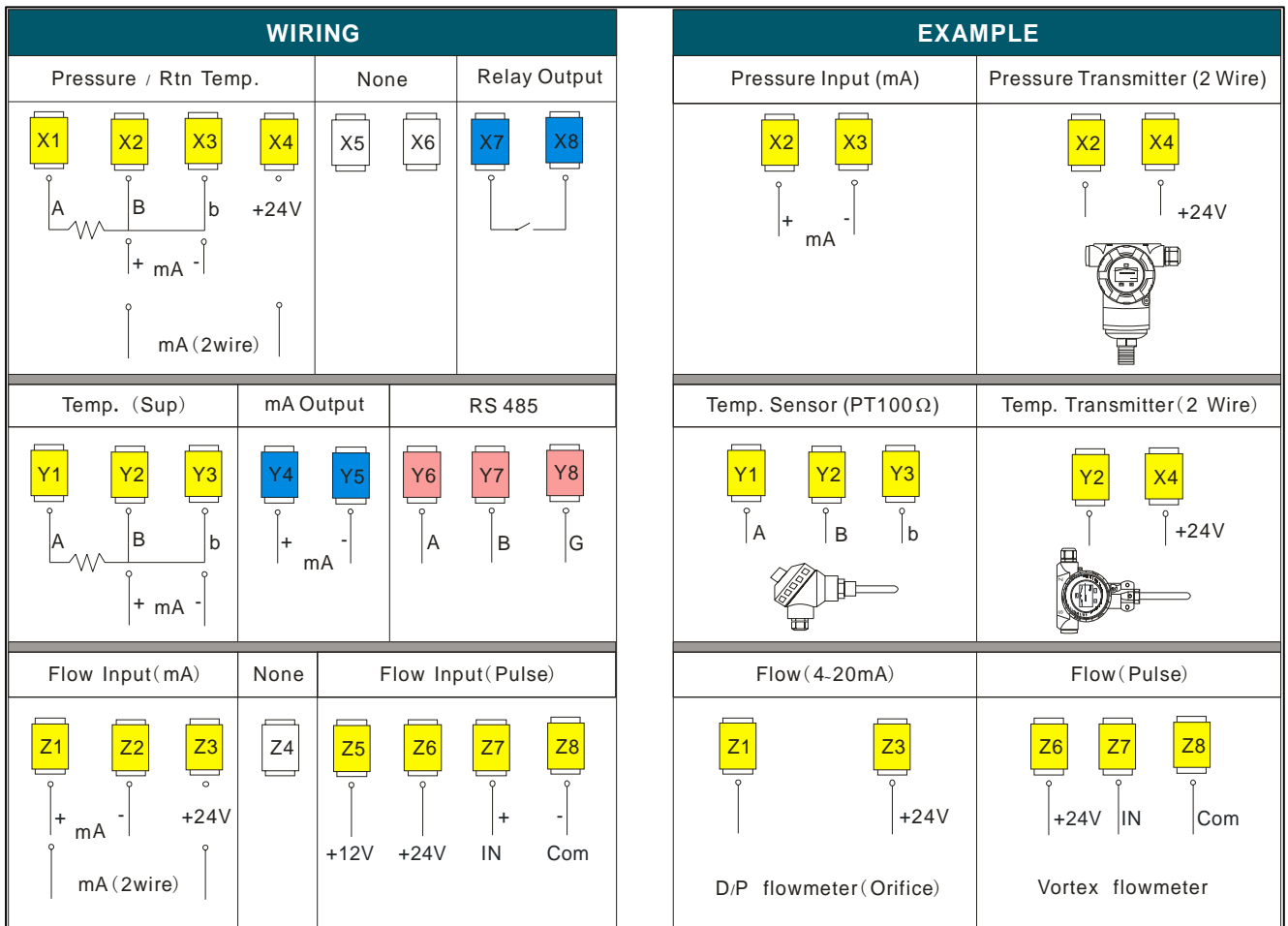
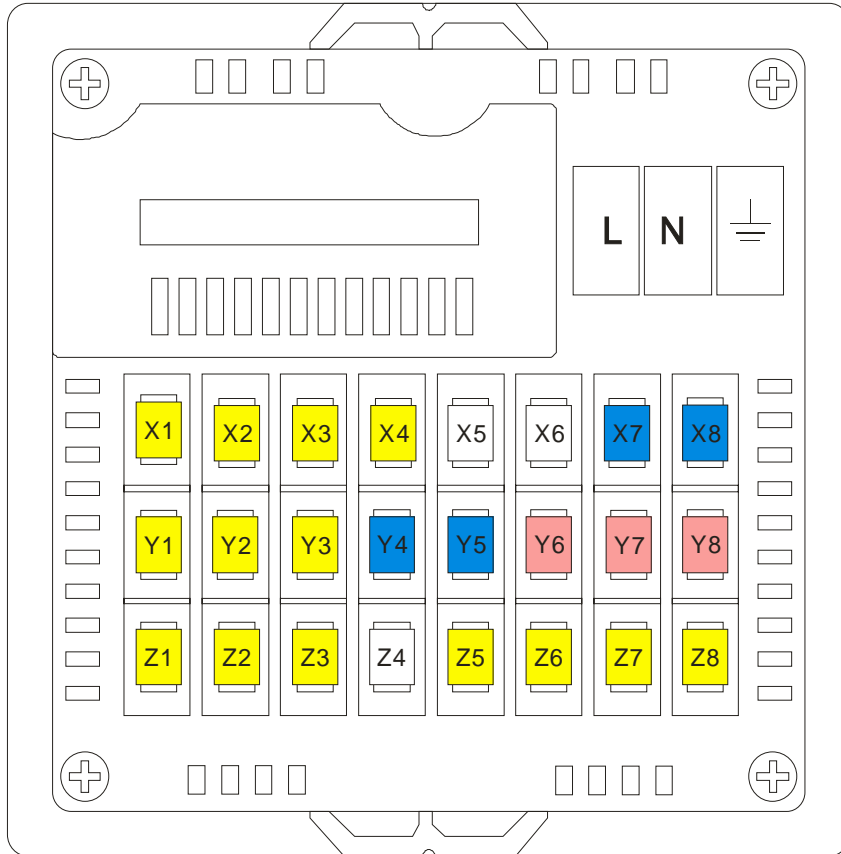
FUNCTIONS



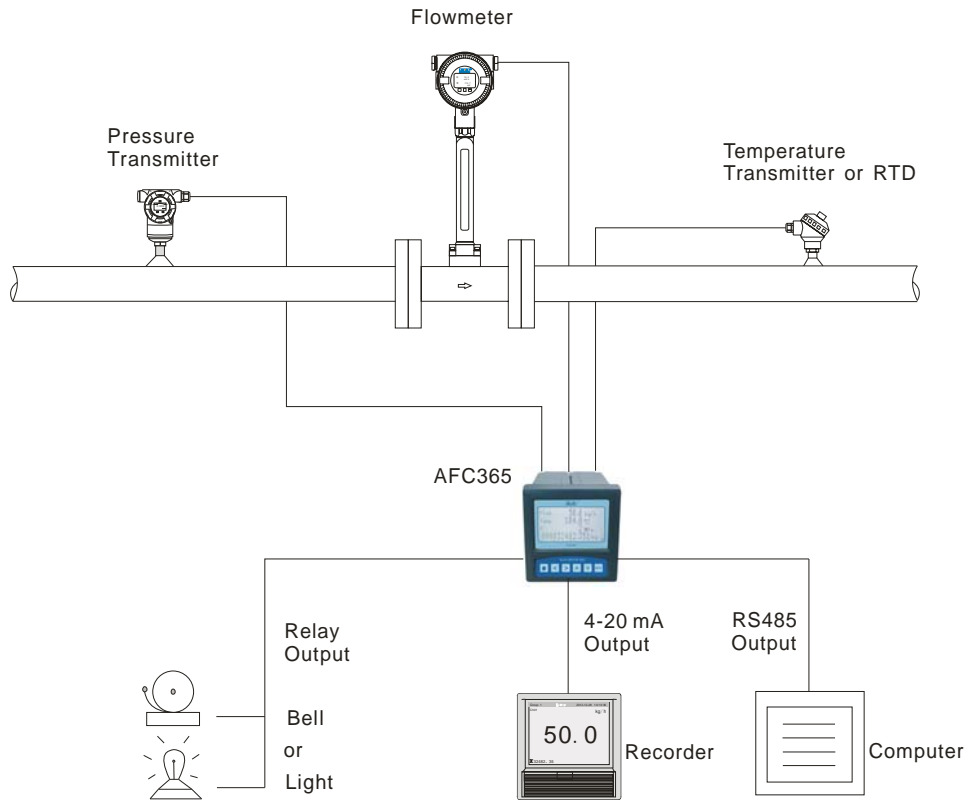
DIMENSIONS



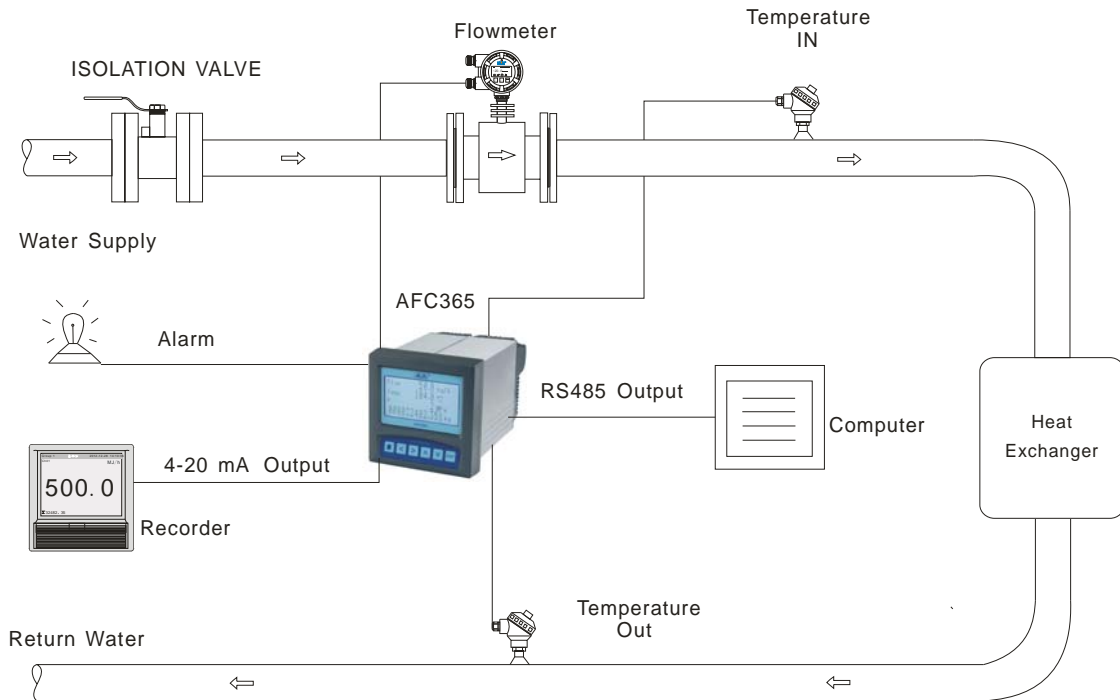
WIRING DIAGRAM



APPLICATION



Flow with Temperature / Pressure Compensation



Heating / Cooling Energy Calculator