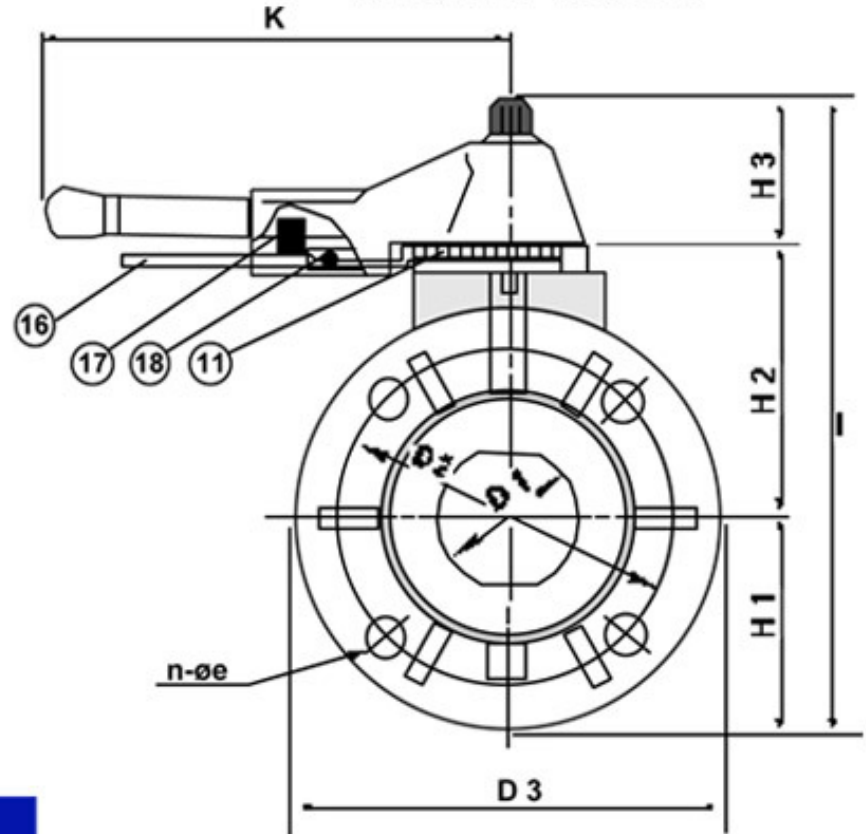
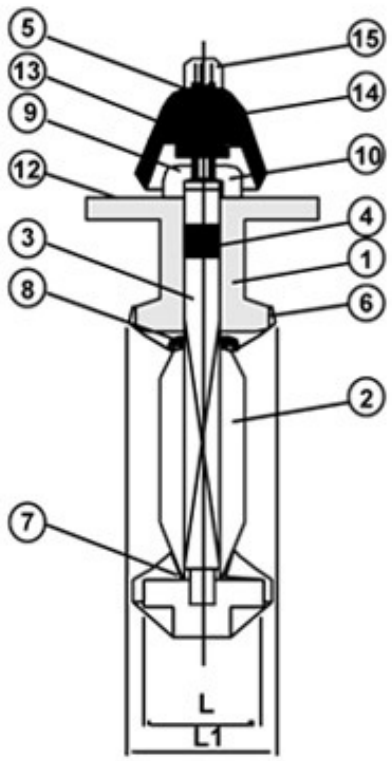


WAFER STYLE BUTTERFLY VALVE SIZE: 2" - 8"

SERIES PVC-310



Ansi Dimensions

Size Inch	D1	D2	D3	e	n	L	L1	H1	H2	H3	I	K	Test Press (PSI)		Working Press (PSI)
													Body	Seat	
2"	2.24	4.75	6.54	0.75	4	1.38	1.65	3.27	4.01	2.68	9.96	8.66	222	177	150
2 1/2"	2.75	5.50	7.24	0.75	4	1.46	1.81	3.62	4.33	2.68	10.63	8.66	222	177	150
3"	3.15	6.00	7.87	0.75	4	1.46	1.81	3.94	4.64	2.68	11.26	8.66	222	177	150
4"	4.01	7.50	9.06	0.75	8	1.85	2.20	4.53	5.28	2.68	12.48	8.66	222	177	150
5"	5.12	8.50	10.00	0.87	8	2.24	2.60	5.00	6.30	3.78	15.08	12.20	222	177	150
6"	6.02	9.50	11.42	0.87	8	2.44	2.80	5.71	6.97	3.78	16.46	12.20	222	177	150
8"	7.99	11.75	13.27	0.87	8	2.99	3.43	6.61	8.03	3.66	18.31	16.30	222	177	150

Testing performed on PVC/PP/EPDM valves at 73°F water temperature, non-shock.

Materials of Construction

Item	Parts	Pcs	Materials	Item	Parts	Pcs	Materials
1	Body	1	PVC,PP,PVDF, CPVC*	10	Retainer Cap	1	PVC,PP, CPVC, PVDF
2	Disc	1	PVC,PP,PVDF, CPVC*	11	Positioner	1	SUS304, 8" Use SS41
3	Stem	1	SUS410,SUS304,SUS316	12	Screw	3	SUS304
4	Stem O'ring	2	EPDM,VITON®, BUNA N	13	Handle	1	ABS
5	Washer	1	SUS304	14	Inserted Metal of Handle	1	CS
6	Seat	1	EPDM,VITON®, BUNA N	15	Nut	1	PVC COATED BRASS, SUS304
7	Disc O'Ring	2	EPDM,VITON®, BUNA N	16	Hand Lever	1	SUS 304,SUS41
8	Disc O'Ring	2	EPDM,VITON®, BUNA N	17	Spring	1	SUS304
9	Stem Retainer	1	SUS304	18	Set Pin	1	BRASS

*CPVC available to 12"

VITON® is a trademark of DuPont Performance Elastomers